



Kaya Oğuz

Burak Karslıođlu

Levent Sanitürk

Coşkun Postacı

Sema Aksoy

# Contents

What Is Hasta La Vista.....	3
Project Goals.....	3
Technical View Of The Design.....	4
Our GUI Design.....	5
Our DB C++ Interface Design.....	6
Our Database Design.....	7

## What is Hasta La Vista?

Hasta La Vista is an application which will provide an easy to use patient journaling system for small and medium private healthcare institutions. It will hold patient information, past records for medical examinations, diagnosis and cure information.

Keeping track of this data is vital for the institution. It will hold less space than a hardcopy, will have features like searching, history viewing which are time consuming. It will save time and money. Also it supports a new coming concept. "A Doctor to each family".

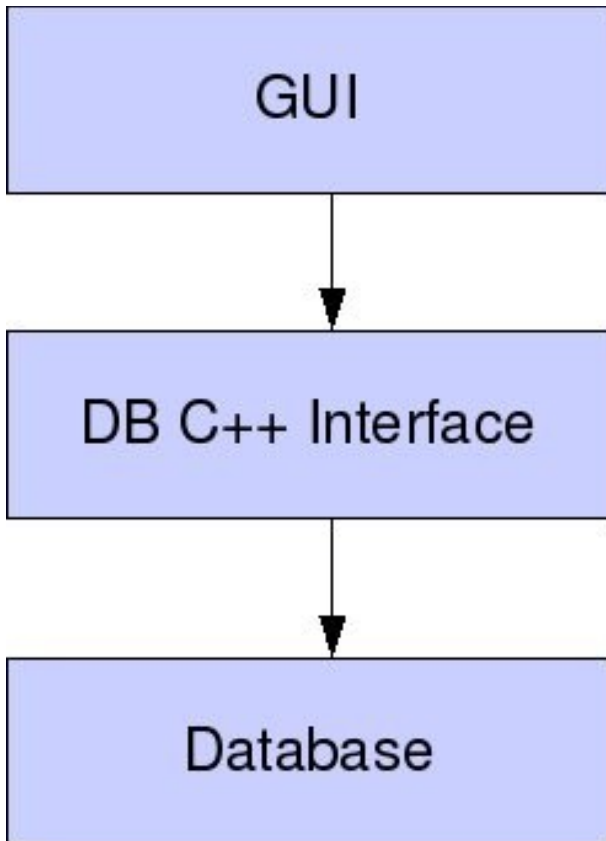
## Project Goals

The Project is planned to work on three different platforms. It will save patient background and personal data. The database will also store the diagnoses and cures. The family information related to each patient will also be kept. Hasta La Vista will also offer searching with different parameters in the database tables.

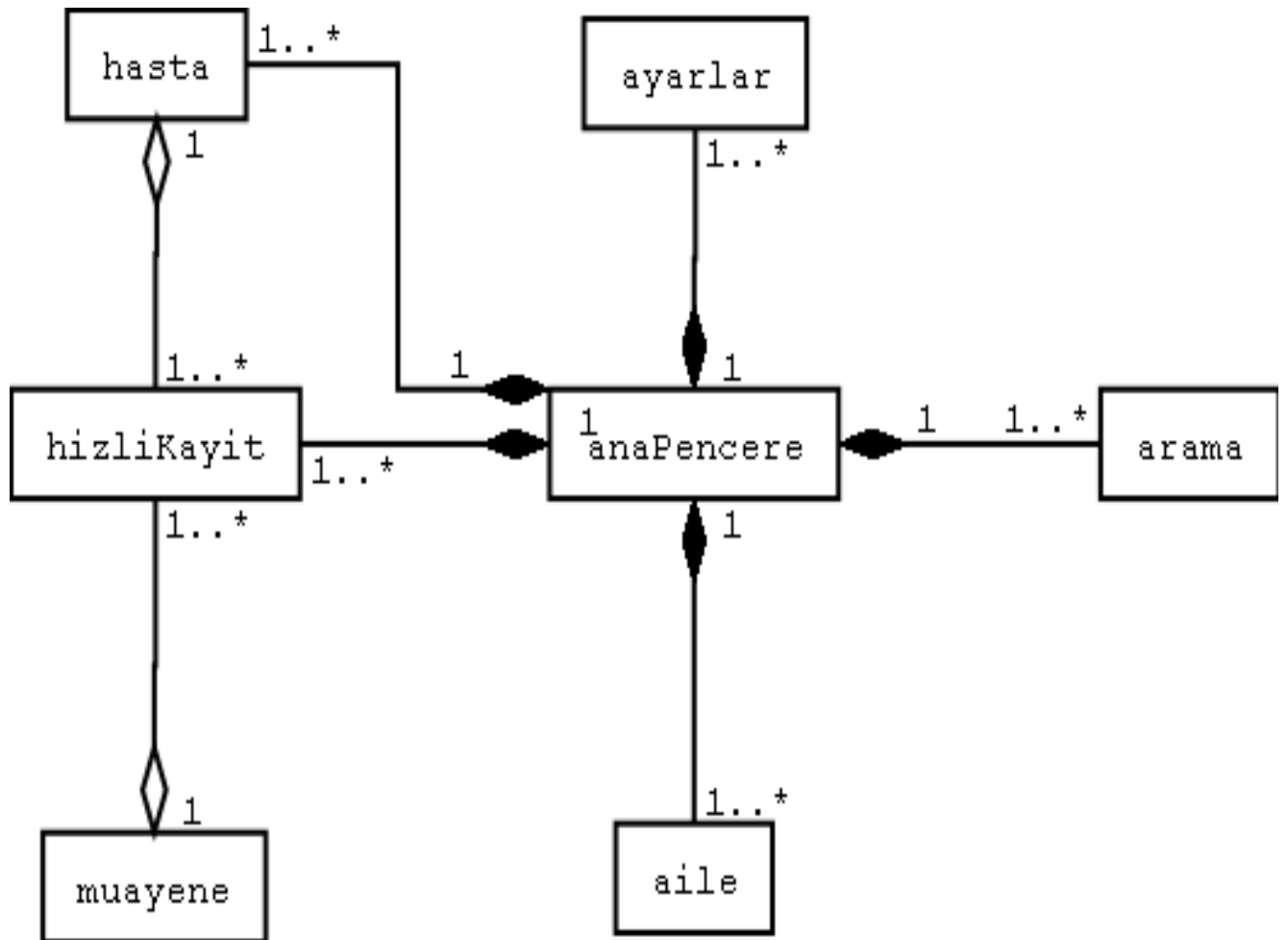
## Technical View Of The Design

We are working on a GUI which will work on three different platforms, Windows, Linux, MacOS with the help of the QT Framework. One advantage with Qt is that it provides us with built-in database connectivity. Even though it's easy to access a database with QT, we decided to develop another class for the sole purpose of communication of GUI classes with the database, hence came out the `Qveritabani` class. With the class, our GUI developers need not to worry about how to store or in or read from database. We are also using a lite, embedable database which is called SQLite in the base of the system. SQLite does not have a server/client server model which makes it a zero configuration and easy to port database.

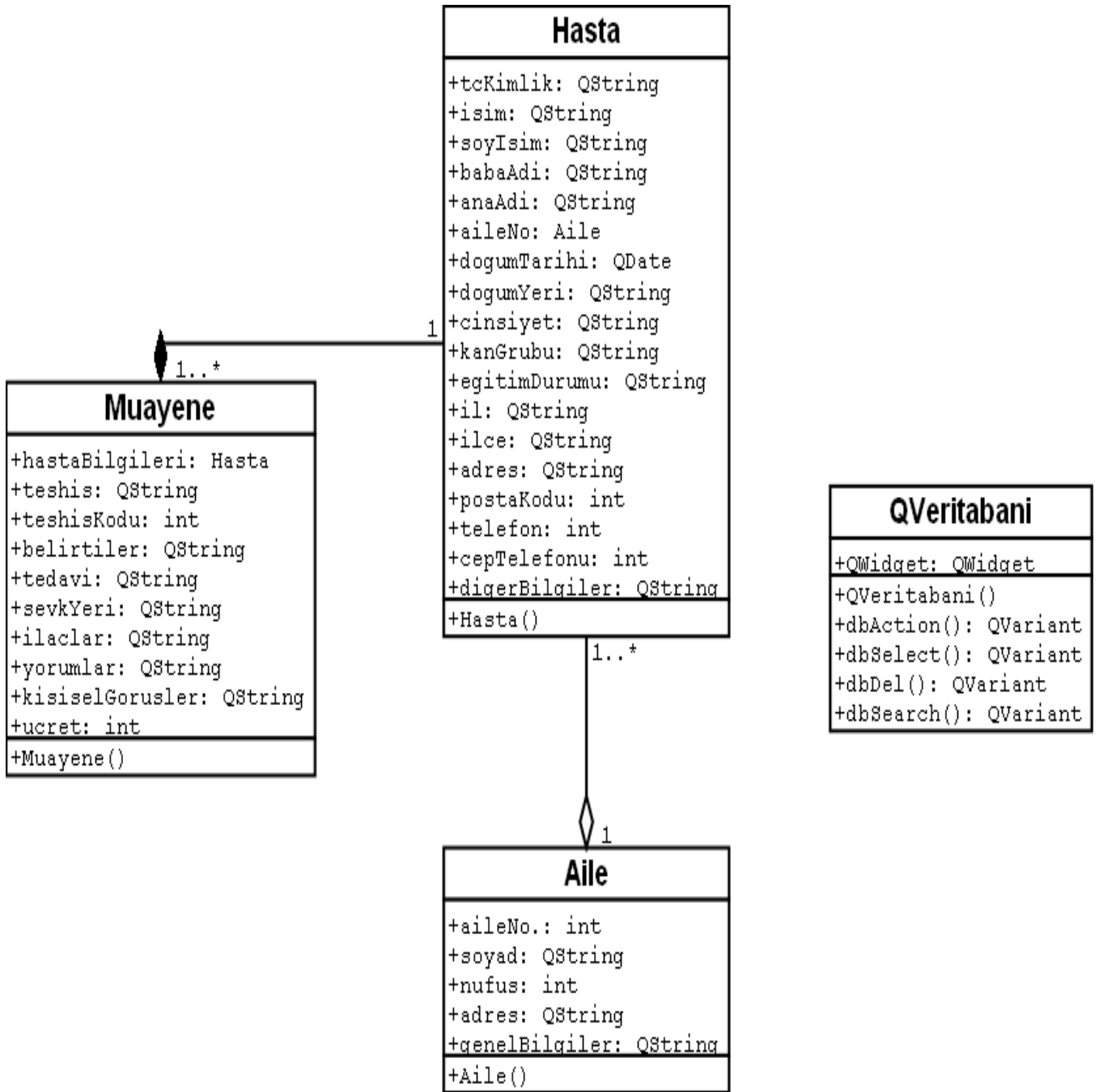
To make `Qveritabani` work more easily, we created copies of database tables as C++ classes, greatly reducing the number of parameters which will be used for each function as we will simply pass an instance of the class, not all the variables in it.



Our GUI Design



## Our DB C++ Interface Design



## Our Database Design

